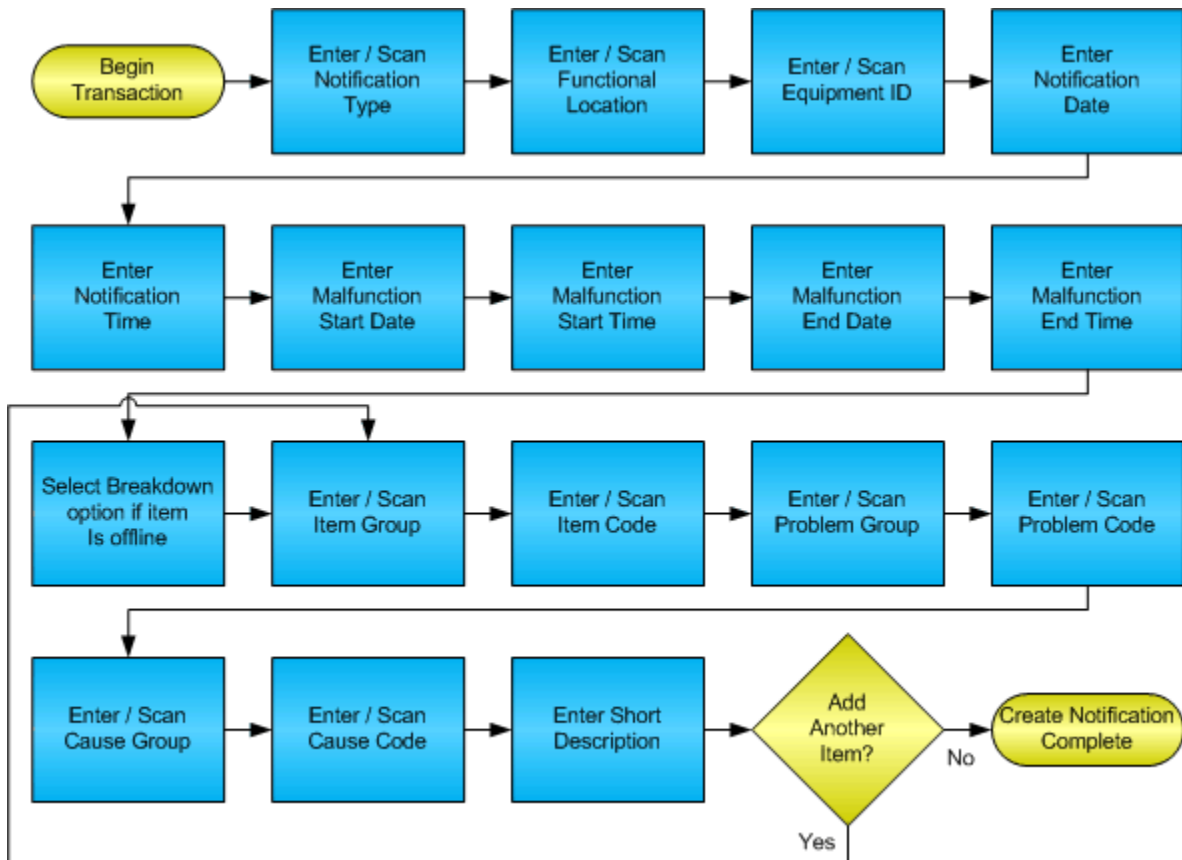


# Create Notification



© The DataMAX Software Group Inc  
1101 Investment Blvd., Suite 250  
El Dorado Hills, CA 95762  
(916) 939-4065

SAP® is registered trademark of SAP Corp.® and protected by national and international copyright laws.

# License Agreement

All information contained in this document is **Copyright 2012, the DataMAX Software Group, Inc. and Others, All Rights Are Reserved by DataMAX.** This document may not be published, nor used without the prior written consent of DataMAX. **Use of the RFgen Software 'Open Source' code is at all times subject to the DataMAX Open Source Licensing Agreement,** which must be accepted at the time the source code is installed on your computer system. For your convenience, a text copy of the Open Source Licensing Agreement is also loaded (and may be printed from) your RFgen based system.

Requirements:       RFgen Version 3.2.1.17 or later  
                      RFgen SAP Integration Suite

## TABLE OF CONTENTS

<b>FPMCNO200 – CREATE NOTIFICATION.....</b>	<b>2</b>
VALIDATIONS.....	3
EDITS.....	3
FUNCTION KEYS.....	3
CONSIDERATIONS.....	3
<b>SAP PROGRAMS - REFERENCE.....</b>	<b>4</b>
SAP PM NOTIFICATION: IW21.....	4
<b>BASIC TEST SCRIPT.....</b>	<b>9</b>
<b>TEST SCRIPT DESCRIPTION: CREATE NOTIFICATION.....</b>	<b>9</b>
EXECUTION PROCEDURES.....	9
OVERALL TEST CASE RESULTS.....	11

## FPMCN0200 – Create Notification

```
[Create Notification]

Notification Type: M1
Maintenance request

Purpose: Non-functional
Func. Loc: B001-01-A1
and/or
Equipment: TEQ-01

Submit Refresh Clear Exit
```

Page 1

```
[Create Notification]

(Optional Fields)

Notification Date: 3/2/2011
Notification Time: 16:26:59

Malf. Start Date: 3/2/2011
Malf. Start Time: 13:30:00

Malf. End Date: 3/2/2011
Malf. End Time: 13:45:00

Submit Refresh Clear Exit
```

Page 2

```
[Create Notification]

Broken Down? 

Item: MONITOR 2
Prob. Group: PC B
Cause Group: PH-200 0002

Short Description:
Monitor failure, no power.
Another Item?

Enter to accept...

Submit Refresh Clear Exit
```

Page 3

This transaction captures required details for creating a notification. The third page allows the user to record multiple items, the problem with that item and the root cause of the problem.

The following conditions apply to the RFgen implementation for the Create Notification transaction within the SAP environment.

Note: any of these parameters may be easily adjusted to meet the unique requirements of your company.

#### ✓ Validations

Prompt	Method of Validation
Notification Type	TQ80_T validates notification type and retrieves the description
Purpose	Pre-determined by customer and hard coded
Functional Location	IFLS_VIEW
Equipment	EQUI_ADDR
Dates and Times	Checked for validity only
Item Group	Table: QPGR, Field: CODEGRUPPE, KATALOGART=B
Item Code	Table: QPCD, Field: CODE, KATALOGART=B
Problem Group	Table: QPGR, Field: CODEGRUPPE, KATALOGART=C
Problem Code	Table: QPCD, Field: CODE, KATALOGART=C
Cause Group	Table: QPGR, Field: CODEGRUPPE, KATALOGART=5
Cause Code	Table: QPCD, Field: CODE, KATALOGART=5
Short Description	

#### ✓ Edits

Condition	Special Circumstance

#### ⇄ Function Keys

Key	Function
F3	Exit
F4	Search Data for Current Field
F8	Submit value for the Current Screen Display

#### Considerations

1. Do you want to limit the types of notifications that can be created?

## SAP Programs - Reference

### SAP PM Notification: IW21

The screenshot displays the SAP PM Notification: Initial Screen (IW21) interface. At the top, there is a menu bar with options: PM Notification, Edit, Goto, Extras, Environment, System, and Help. Below the menu bar is a toolbar with various icons for navigation and actions. The main title of the screen is "Create PM Notification: Initial Screen".

The interface is divided into two main sections:

- Notification:** This section contains a "Notification type" dropdown menu with a selection icon, and a text input field labeled "Notification".
- Reference:** This section contains a text input field labeled "Notification".

At the bottom of the screen, there is a horizontal bar with a scroll arrow on the right side.

Select a notification type for the next screen

Maintenance notification Edit Goto Extras Environment System Help

SAP

Create PM Notification: Maintenance request

Partner

Notification %00000000001 M1 Non-functional

Status OSNO

Order

Notification Reference object Malfunction, breakdown Location data Scheduling overview Items

Reference object

Functional loc. 1032-ADMI-001 Environmental Institute - Purchasing

Equipment 10003552 Maxitec-R 3100 Personal Computer

Assembly

Responsibilities

Planner group JWT / 0008 John Thomas

Main WorkCtr PC-SERVS / 1200 Technician South

Reported by sam Notif.date 08/17/2009 08:45:00

Subject

Description Non-functional

Item

Object part MONITOR 2 Signaling Cable

Damage PC B Operating System Does not Boot

Text Monitor failure - no power

Cause code PH-200 0002 Poorly Defined Product Specifications

Cause text

Entry 1 frm 1

Maintenance notification   Edit   Goto   Extras   Environment   **SAP**

**Create PM Notification: Maintenance request**

Notification   %000000000001   M1   Non-functional

Status   OSNO

Order

Notification   Reference object   Malfunction, breakdown   Location data

Start date

Malfunction start   08/17/2009

Start Malfn (T)   08:00:00

End

Malfunction end   08/17/2009

Malfunctn End (Time)   08:15:00

Breakdown

Breakdown   Breakdown duration   0.25   H

PM Notification Edit Goto Extras Environment System Help **SAP**

**Create PM Notification: Maintenance request**

Notification: %000000000001 M1 Non-functional

Status: OSNO

Order:

Malfunction, breakdown Location data Scheduling overview **Items** Tasks Activities

Items Causes Tasks Activities

No.	Code gr.	Obj.	Object part	Code gr.	Da.	Damage	Text
1	MONITOR	2	Signaling Cable	PC	B	Operating System Does not	Monitor failure - no power

PM Notification Edit Goto Extras Environment System Help **SAP**

**Create PM Notification: Maintenance request**

Notification: %00000000001 M1 Non-functional

Status: OSNO

Order: [icon]

Malfunction, breakdown | Location data | Scheduling overview | **Items** | Tasks | Activities

Items | **Causes** | Tasks | Activities

For item 1

Object part: MONITOR 2 Signaling Cable

Damage: PC B Operating System Does not Boot

Text: Monitor failure - no power

Causes for Item

No.	Code gr.	Ca.	Cause code text	Cause text	C.	Created by	Created on	Crea...	C
1	PH-200	0002	Poorly Defined Product Sp		[icon]	DATAMAX	08/17/2009	17:57:	[icon]
								00:00:	[icon]
								00:00:	[icon]

Entry 1 frm 1 [icons]

## Basic Test Script

1. Enter a notification type
2. Enter a purpose, functional location and/or equipment numbers
3. Enter valid and invalid date and time values
4. Note if the item is currently non-operational and record all items, problems and causes

Test Script Description: Create Notification

## Execution Procedures

ID	Test Case	Expected Result	Pass	Fail
1	Enter a valid Notification Type ____ Press the <b>ENTER</b> key	RFGEN will validate and accept the type entered.		
2	Enter an invalid Notification Type ____ Press the <b>ENTER</b> key	RFGEN will validate and display an error message – the field will continue to error out until corrected		
3	Type in a valid Functional Location _____ Press the <b>ENTER</b> key	RFGEN will validate and accept the Functional Location entered.		
4	Type in an invalid Functional Location _____ Press the <b>ENTER</b> key	RFGEN will validate and display an error message – the field will continue to error out until corrected		
5	Type in a valid Equipment ID _____ Press the <b>ENTER</b> key	RFGEN will validate the Equipment ID		
6	Type in an invalid Equipment ID ____ Press the <b>ENTER</b> key	RFGEN will validate and display an error message – the fields will continue to error out until corrected		
7	Enter valid dates and times	RFGEN will accept a valid date or time entry		
8	Enter invalid dates and times	RFGEN will validate and display an error message – the fields will continue to error out until corrected		
9	Enter a malfunction End date before the malfunction Start date	RFGEN will validate and display an error message – the fields will continue to error out until corrected		
10	Type in a valid Item Group _____ Press the <b>ENTER</b> key	RFGEN will validate the Item Group		
11	Type in an invalid Item Group _____ Press the <b>ENTER</b> key	RFGEN will validate and display an error message – the fields will continue to error out until corrected		

12	Type in a valid Item Code _____ Press the <b>ENTER</b> key	RFGEN will validate the Item Code		
13	Type in an invalid Item Code _____ Press the <b>ENTER</b> key	RFGEN will validate and display an error message – the fields will continue to error out until corrected		
14	Type in a valid Problem Group _____ Press the <b>ENTER</b> key	RFGEN will validate the Problem Group		
15	Type in an invalid Problem Group _____ Press the <b>ENTER</b> key	RFGEN will validate and display an error message – the fields will continue to error out until corrected		
16	Type in a valid Problem Code _____ Press the <b>ENTER</b> key	RFGEN will validate the Problem Code		
17	Type in an invalid Problem Code _____ Press the <b>ENTER</b> key	RFGEN will validate and display an error message – the fields will continue to error out until corrected		
18	Type in a valid Cause Group _____ Press the <b>ENTER</b> key	RFGEN will validate the Cause Group		
19	Type in an invalid Cause Group _____ Press the <b>ENTER</b> key	RFGEN will validate and display an error message – the fields will continue to error out until corrected		
20	Type in a valid Cause Code _____ Press the <b>ENTER</b> key	RFGEN will validate the Cause Code		
21	Type in an invalid Cause Code _____ Press the <b>ENTER</b> key	RFGEN will validate and display an error message – the fields will continue to error out until corrected		
22	Enter to accept the current item set or click the 'Another Item?' button and repeat.	RFGEN will accept all entered items, scroll between them with the Back and Next buttons and finally submit the data to SAP.		

## Overall Test Case Results

<b>Pass/Fail:</b>	
<b>Tester/Date:</b>	
<b>Re-Tester/Date:</b>	

<b>Actual Results:</b>	
------------------------	--

<b>Comments:</b>	
------------------	--